

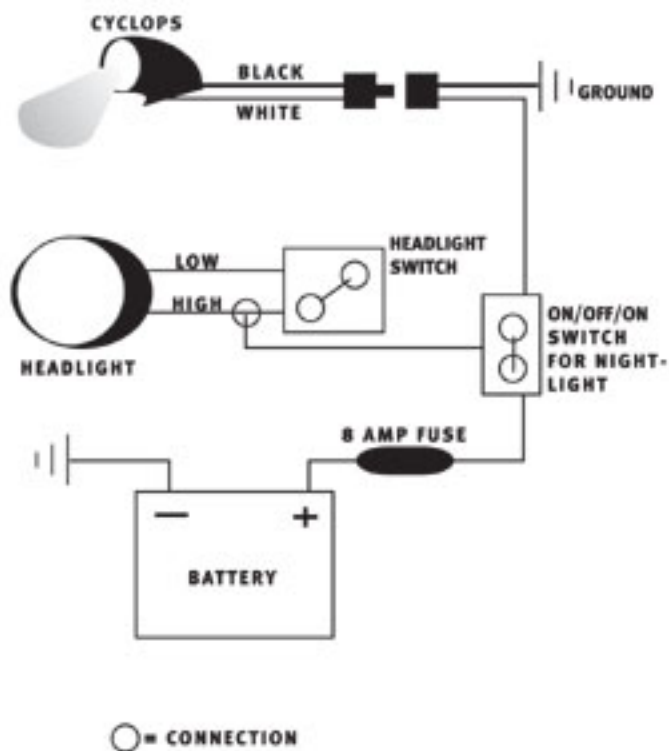
Wiring Instructions

Wiring for machines WITH battery

Nightlight operates with engine running or not
Always check factory wiring diagrams for proper wire i.d.
You will need an ON/OFF/ON switch and 8 amp fuse (not included).

One "on" leg of ON/OFF/ON switch, light is on, whether engine is running or not, in other position light works with high beams.

Solder and tape or heat shrink all connectors for trouble-free operation of your CYCLOPS Nightlight.



Wiring for machines WITH OR WITHOUT battery

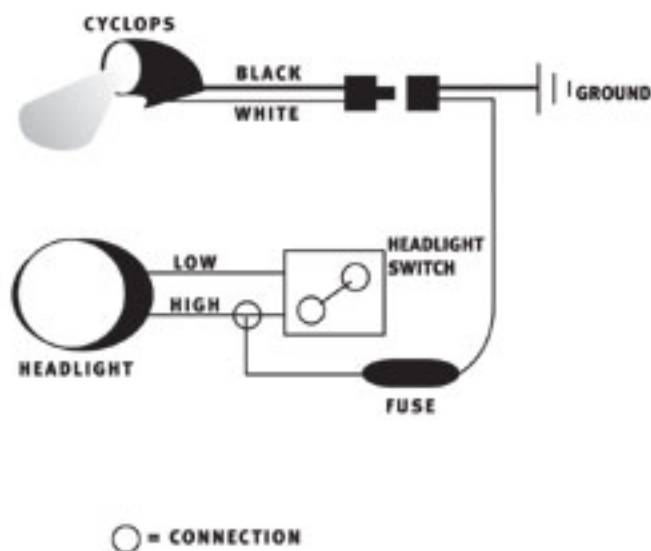
Nightlight operates **only** with engine running
Always check factory wiring diagrams for proper wire i.d.
You can install your CYCLOPS Nightlight direct to your headlight switch, the headlight itself or a high beam or secondary switch. Using the enclosed fuse is recommended.

Switchable Circuit

White to open side of switch or high beam wire. Black to ground

Light always ON when engine running

Solder and tape or heat shrink all connectors for trouble-free operation of your CYCLOPS Nightlight.



THE Right Light for



Your Night Riding

Congratulations! You have purchased the best helmet light you can buy. Soon you will see how much more fun and safe nightriding can be. However, caution must be used when operating the CYCLOPS Nightlight.

- Do not replace the bulb with any other than the proper CYCLOPS Motorsports replacement lamp. A meltdown WILL occur. Warranty will then be void. These are specially designed lamps. Regular MR-16 bulbs will ruin your light!
- Allow light to cool completely before touching. Lamp is extremely hot. Keep away from combustible and flammable materials.
- Never point light in a person's eyes.
- Always wear eye protection when operating your CYCLOPS Nightlight.
- Using the CYCLOPS Nightlight in a manner inconsistent with the design or intended use voids any warranty or liability of the manufacturer.

Bulb Replacement

- Use only CYCLOPS Motorsports.com Replacement Lamps. Failing to do so voids all warranty. These lamps are engineered to deflect heat forward away from light housing.
- Let lamp cool completely before changing.
- Wear gloves when replacing bulb. Remove by inserting dull flat screwdriver or like instrument between housing and bulb at top of light. Work instrument under the lip of bulb and slide around edge of housing like changing a tire. Bulb will pop out.

To reinstall bulb:

- Wear gloves. Align pins with socket in housing. Use screwdriver to flex housing around bulb. Start at one side toward bottom of light, hold bulb in socket and work tool downward and around toward top. Be careful not to chip bulb glass.

CYCLOPS Nightlight Installation Directions

1. Find an appropriate spot for female jack of wiring harness, making sure that it can be pulled and disconnected easily from any direction. (We recommend hanging from the handlebars.) Follow enclosed wiring instructions.
2. Attach adhesive backed hooked Velcro to base of the CYCLOPS Nightlight. Trim any overhang of Velcro.
3. Attach looped piece of Velcro to clean helmet. Be sure surface has no residue from cleaning. To best determine proper Nightlight location, we recommend the rider wear helmet while sitting on the vehicle in normal riding position at night. The Nightlight should be facing forward. Apply loop side of Velcro with longest length running front to back of helmet. Nightlight should then attach along strip allowing for adjustments.
4. Route wiring to desired location. Custom tailor your harness for quality installation. Secure harness firmly in place with wire ties or other means.

Manufacturer's Warranty

CYCLOPS Manufacturing Inc. makes this limited lifetime warranty to the original retail purchaser and is not transferable.

We warranty the urethane housing of the CYCLOPS Nightlight for life. The cord, connectors and attaching system for 1 year from date of purchase against defective materials and workmanship. If such should occur, light will be repaired or replaced at the discretion of the manufacturer. Contact cyclopsmotorsports.com for return information. Shipping and proof of purchase are the responsibility of the purchaser.

This limited lifetime warranty is void if light is misused or wrong bulb has been used.

The manufacturer makes no warranty other than this limited lifetime warranty and expressly excludes any implied warranty including warranty for consequential damages.